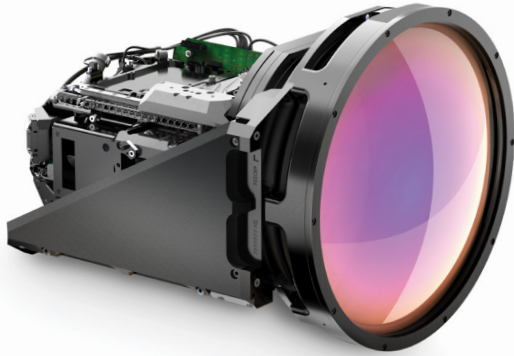


# SupIR 50-1350mm f/5.5, Motorized Continuous Zoom 680356\*



**HD  
FORMAT**

#### WFOV(50mm)

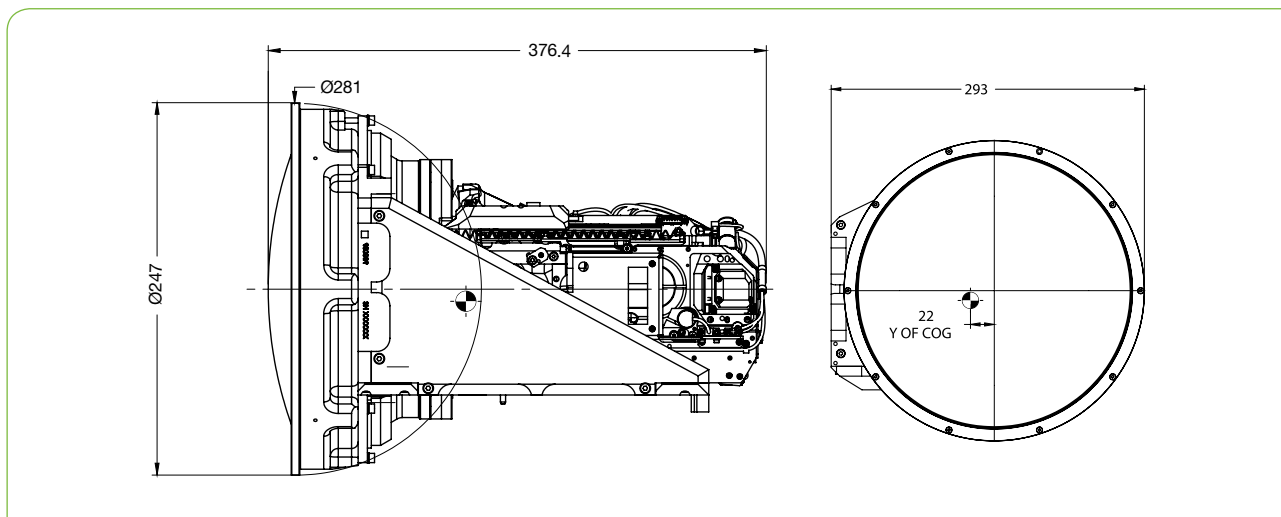
HFOV	640X512	1280X1024
15μ	10.8°	20.5°

#### NFOV(1350mm)

HFOV	640X512	1280X1024
15μ	0.4°	0.8°

Property	Value	
<b>Optical</b>	<b>WFOV</b>	<b>NFOV</b>
Focal Length	50mm	1350mm
F/#	5.5	
Average transmission (3.4-5.0μm)	70% (LRHC)	
Based on Zoom Lens:	28-900mm f/5.5 680072	
Cold stop to FPA Distance	28mm	
Cold Stop CA	Ø5.09mm	
Back Focal Length	37.6mm in air	
Minimum Focus Range	5m	200m
Nuc (by defocus)	Yes	
<b>Mechanical</b>		
Focus Mechanism	Motorized	
Focus Time (minimum range to ∞)	≤8 sec.	
Zoom Mechanism	Motorized	
Zoom Time (NFOV to WFOV)	≤8 sec.	

\* Requires export license



MWIR | ZOOM

Property	Value
<b>Mechanical</b>	
Weight	15.6kg
Max. Dimensions	Length 376.4mm; Ø281mm; height 293mm
<b>Electrical</b>	
Lens Control	Designated lens controller
Supply Voltage	28VDC
Current Consumption	1.25A average, 2.5A peak
Communication Protocol	RS422
<b>Environmental</b>	
Operation Temperature	-20°C to +65°C
Storage Temperature	-54°C to +71°C
Sealing	IP 67 front element only
<b>Configurations</b>	
680356-001	Low Reflection Hard Carbon**

\* NOTE: The ICD drawing provided here is primarily a representation and may not accurately reflect the product's actual dimensions and specifications. For precise integration specifications contact your local sales representative.

\*\* For detailed LRHC coating specifications see page 13